

# FT 400

## FRAME FOOT™ SUPPORT

### DESCRIPTION

Heavy-duty supporting system for use on flat or sloped (optional) surfaces.

### STEEL FRAME

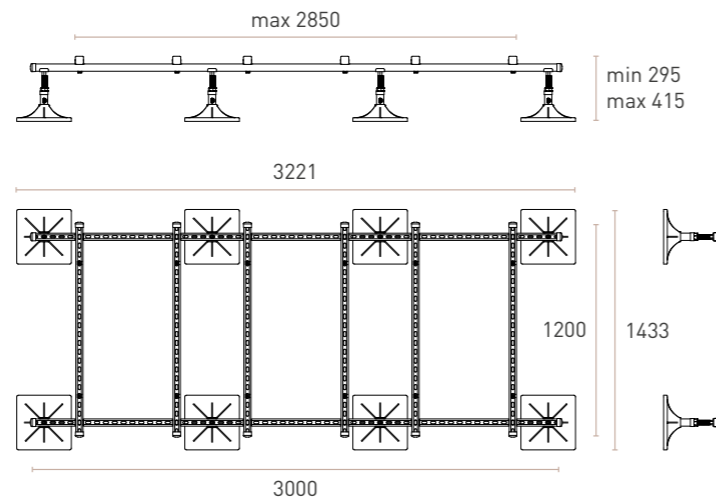
Manufactured from galvanised strut channels.  
All steel connections, screws and clamps are galvanised.  
Plastic end caps included.  
Height-adjustable from 295 mm up to 415 mm with M24 screw.  
Option from 745 mm to 865 mm.  
Easily adjustable, even after installation.  
Handy moveable bracket for 90° mounting channels.  
Special dimensions available on request.

### PLASTIC FOOT

High-impact composite material: composite plastics  
Equipped with anti-vibration mat  
UV-resistant  
Standard colour: black  
Working temperature: -40°C to +80°C  
Max. load per foot: 240 kg

### GENERAL DATA

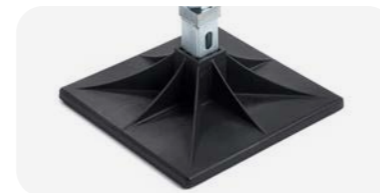
**Frame dimensions:** 3000x1200 mm  
**Foot dimensions:** 300x300 mm  
**Max load capacity\*:** 1620 kg  
**Max spreaded load capacity\*:** 500 kg / m<sup>2</sup>



EASY REGULATION



QUICK ASSEMBLING



FEET + ANTIVIBRATION MATS



Certified quality



# FT 500 EXTENSION MODULE

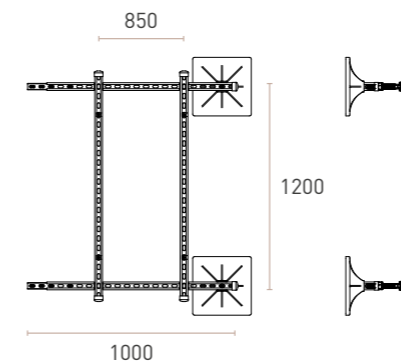


### DESCRIPTION

Extension module for FT 200, FT 300, FT 400.  
Height-adjustable from 295 mm to 415 mm.  
Channels connector included.

### GENERAL DATA

**Frame dimensions:** 1111x1433 mm  
**Foot dimensions:** 300x300 mm  
**Max load capacity\*:** 500 kg  
**Max spreaded load capacity\*:** 500 kg/m<sup>2</sup>



\* The maximum load / spread load capacity is expressed without taking into account any safety parameter or factor. It is the customer's responsibility to choose and use appropriate tools and fixing materials which ensure that the final installation is in compliance with all national, state, local and environmental regulations. Check the safety parameters that are appropriate for your intended use and contact us if necessary.



Certified quality



# FT 100 AIR DUCTS SUPPORT



### DESCRIPTION

H-frame to support air ducts.  
Easily adjustable, even after installation.  
Galvanized steel elements based on common struts channels.  
Other dimensions available on request.

### GENERAL DATA

**Dimensions:** 952x625x310 mm  
**Height-adjustable:** from 240 mm to 600 mm  
**Foot dimensions:** 300x300 mm  
**Max load capacity\*:** 480 kg  
**Max spreaded load capacity\*:** 500 kg/m<sup>2</sup>

