

FT 200

FRAME FOOT™ SUPPORT

DESCRIPTION

Heavy-duty supporting system for use on flat or sloped (optional) surfaces.

STEEL FRAME

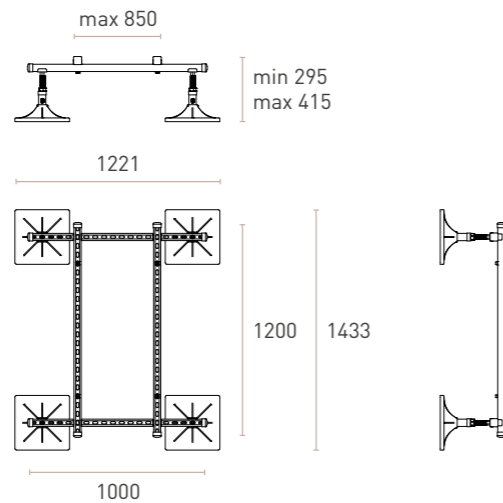
Manufactured from galvanised strut channels.
All steel connections, screws and clamps are galvanised.
Plastic end caps included.
Height-adjustable from 295 mm up to 415 mm with M24 screw.
Option from 745 mm to 865 mm.
Easily adjustable, even after installation.
Handy moveable bracket for 90° mounting channels.
Special dimensions available on request.

PLASTIC FOOT

High-impact composite material: composite plastics
Equipped with anti-vibration mat
UV-resistant
Standard colour: black
Working temperature: -40°C to +80°C
Max. load per foot: 240 kg

GENERAL DATA

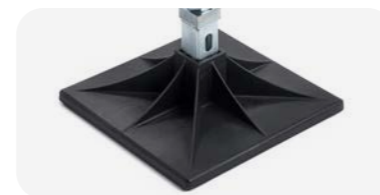
Frame dimensions: 1000x1200 mm
Foot dimensions: 300x300 mm
Max load capacity*: 500 kg
Max spreaded load capacity*: 500 kg / m²



EASY REGULATION



QUICK ASSEMBLING



FEET + ANTIVIBRATION MATS



Certified quality

FT 300

FRAME FOOT™ SUPPORT

DESCRIPTION

Heavy-duty supporting system for use on flat or sloped (optional) surfaces.
Height-adjustable from 295 mm to 415 mm (even after installation).

STEEL FRAME

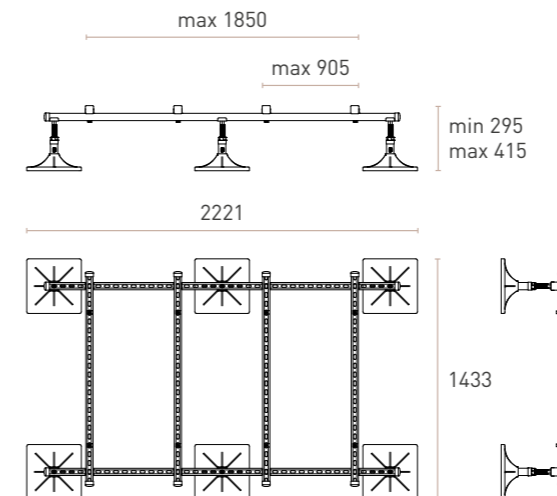
Manufactured from galvanised strut channels.
All steel connections, screws and clamps are galvanised.
Plastic end caps included.
Height-adjustable from 295 mm up to 415 mm with M24 screw.
Option from 745 mm to 865 mm.
Easily adjustable, even after installation.
Handy moveable bracket for 90° mounting channels.
Special dimensions available on request.

PLASTIC FOOT

High-impact composite material: composite plastics
Equipped with anti-vibration mat
UV-resistant
Standard colour: black
Working temperature: -40°C to +80°C
Max. load per foot: 240 kg

GENERAL DATA

Frame dimensions: 2221x1433 mm
Foot dimensions: 300x300 mm
Max load capacity*: 1040 kg
Max spreaded load capacity*: 500 kg / m²



SURFACE LOAD TABLE - FOOT SURFACE 300x300 mm*

Load per foot - kg/pc	10	20	30	40	50	60	70	80	90	100	110	120
Load per foot - kN/m ² on the ground / flats roofs	1,90	2,18	3,27	4,36	5,45	6,54	7,63	8,72	9,81	10,90	11,99	13,08



Certified quality